



ORDERING INFORMATION

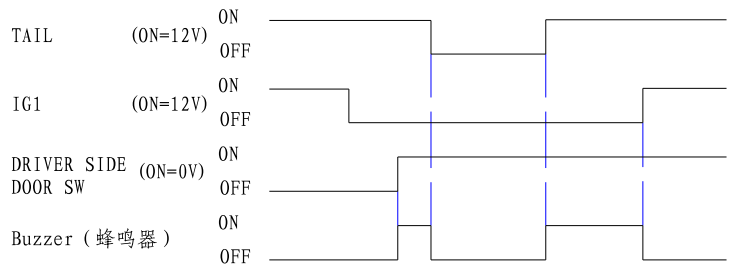
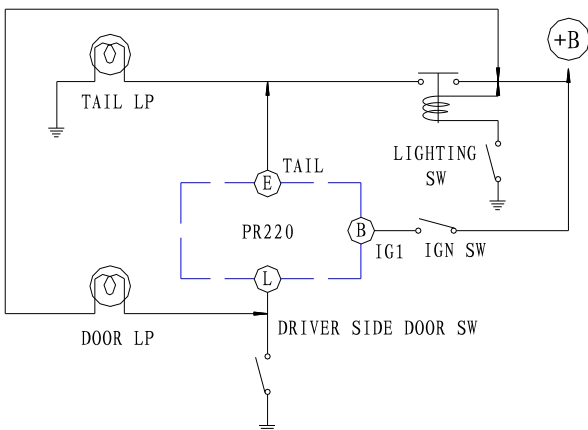
PR220 / 012

Type
Coil voltage: 12VDC

CHARACTERISTICS

| | |
|-------------------------------|------------------|
| Nominal Voltage | 12VDC |
| Operating voltage range | 9VDCto14.5VDC |
| Switching current | ≤20mA |
| Sound pressure level | (65±10) dB(A),1m |
| Initial Insulation Resistance | 20MΩ,500VDC |
| Dielectric Strength | 550VAC |
| Frequency | (3.3±0.5) kHz |
| Ambient temperature | -30℃ to +75℃ |
| Unit weight | 32g |

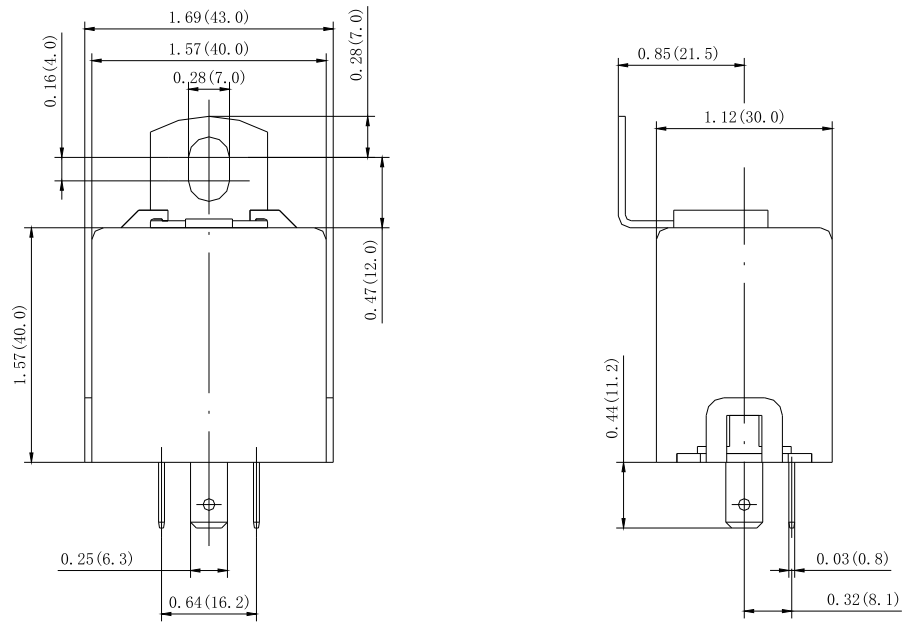
Wiring diagram



Dimensions

mm

Dimensions



Mounting (Bottom views)

